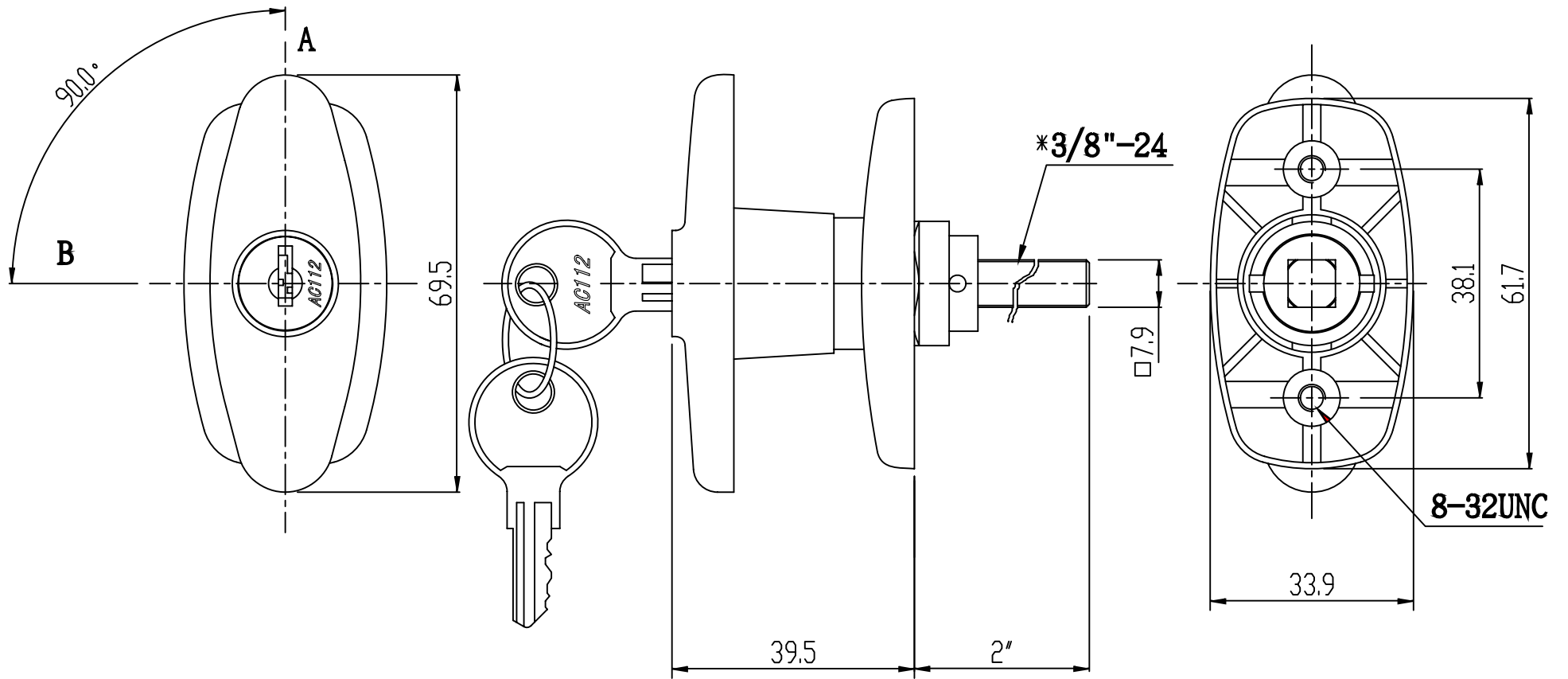
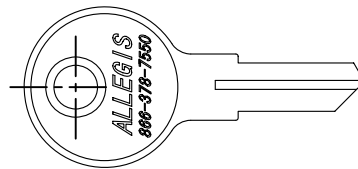
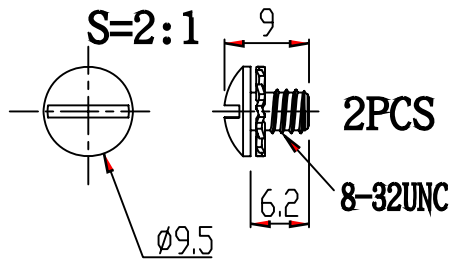


APPROVAL - CUSTOMER NAME & SIGNATURE

DATE



FASTENERS NOT INCLUDED



		Key-Locking T-Handle	
MATERIAL: Zinc die-cast	DRAWING NO. : T305 CCW AC112	- 90 degree counter-clockwise (CCW) - Keyed Alike (AC112)	
FINISH: Satin Chrome			
REV. : 1 : 1	DATE: 9-26-2009		